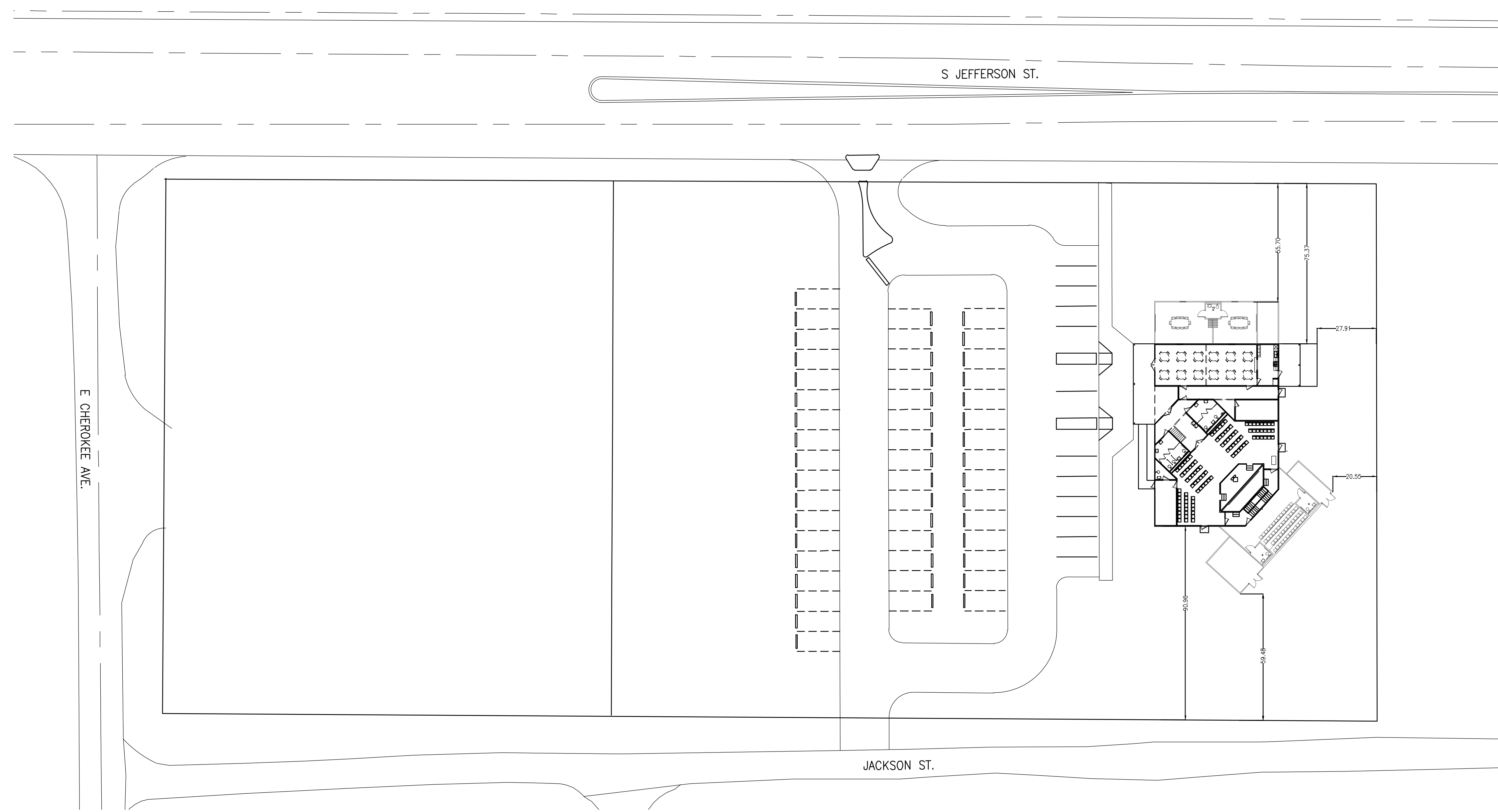


NOTE:
 CONTRACTOR TO PROVIDE
 SILT SCREEN AND WATER
 DRAINAGE DURING
 CONSTRUCTION

NOTE:
 "VRFTY FOR PROTECTED
 TREE ON SITE"



SITE PLAN

SCALE: 1"=30'-0"

General Notes

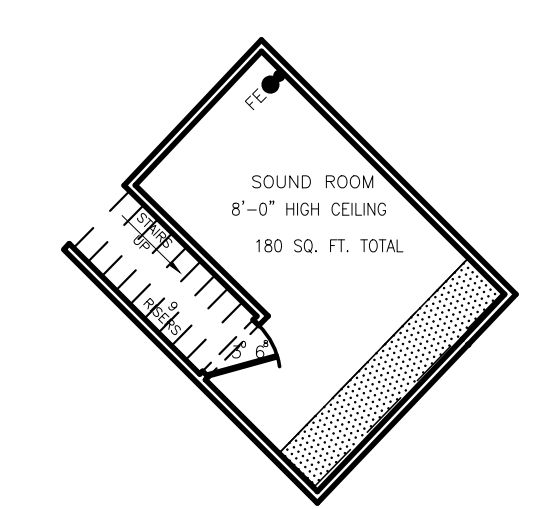
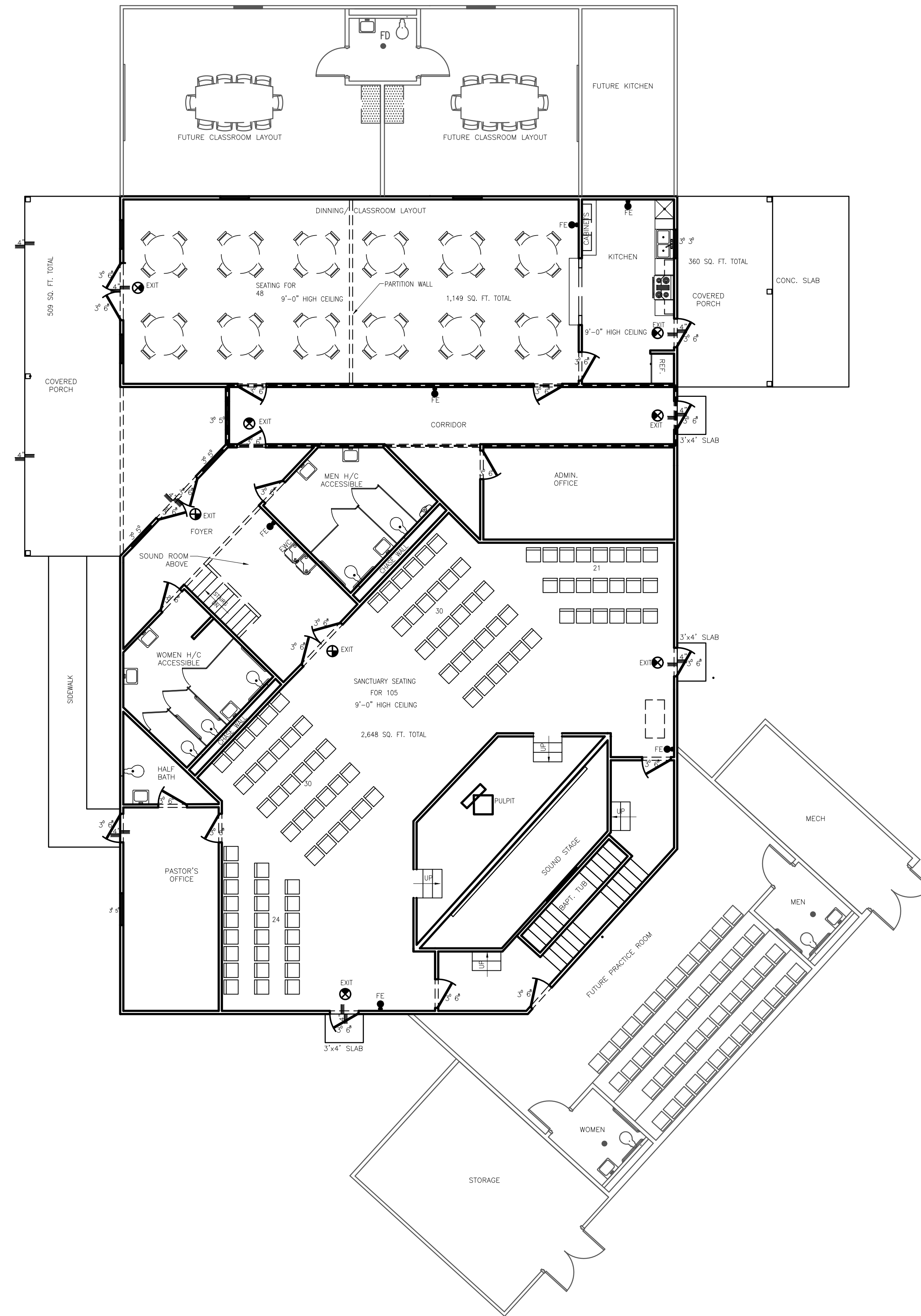
CONTRACTOR: TO VERIFY ALL
 DIMENSION ON SITE OF PROJECT

No.	Revision/Issue	Date

Firm Name and Address
 SLOAN'S DRAFTING
 96 ALLEN RANCH LANE
 HAVANA, FL 32333

Project Name and Address
 RGCC
 1287 S JEFFERSON ST.
 MONTICELLO, FL 32344

Project CHURCH DESIGN	Sheet ASP1.0
Date 03/31/22	
Scale 1"=30'-0"	



FLOOR PLAN
 SCALE: 1/8"=1'-0"
 NOT FOR CONSTRUCTION

General Notes
 CONTRACTOR: TO VERIFY ALL
 DIMENSION ON SITE OF PROJECT

No.	Revision/Issue	Date

Firm Name and Address
 SLOAN'S DRAFTING
 96 ALLEN RANCH LANE
 HAVANA, FL 32333

Project Name and Address
 RGCC
 1287 S JEFFERSON ST.
 MONTICELLO, FL 32344

Project CHURCH DESIGN	Sheet
Date 03/21/22	A1.2
Scale 1/8"=1'-0"	